

**Warewashing**  
**Medium hot air blower zone without**  
**door for Dual Rinse Rack Type**  
**dishwasher (Marine)**

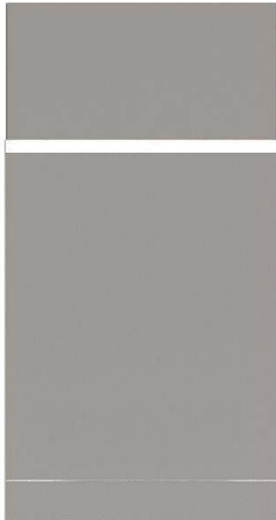
ITEM # \_\_\_\_\_

MODEL # \_\_\_\_\_

NAME # \_\_\_\_\_

SIS # \_\_\_\_\_

AIA # \_\_\_\_\_


**535135 (NMHABDR5M)**

Medium hot air blower zone without door for Dual Rinse Rack Type dishwasher, 50Hz - Marine

**535138 (NMHABDR6M)**

Medium hot air blower zone without door for Dual Rinse Rack Type dishwasher, 60Hz - Marine

### Short Form Specification

**Item No.** \_\_\_\_\_

Unit to be Electrolux medium dryer suitable to be installed with Electrolux green&clean dual rinse rack type dishwasher. Dryer uses internal and external air to provide good drying result without high energy consumption. Insulated door with easy access for silent operation and heat preservation. Construction in AISI 304 stainless steel. Suitable for any feeding direction of the dishwasher thanks to easy reversibility on-site. Full pre-arrangement to be connected with Electrolux green&clean dual rinse rack type dishwasher without any modification.

### Main Features

- The feeding direction can be either left to right or right to left as it's reversible on site.
- Large counter balanced inspection door allows unrestricted all-round access to the internal area. Door is insulated with injected foam. This adds strength as well as reduces noise and heat loss.
- Drying zone removes most of water from the crockery through a high powered fan that extracts dry air from outside mixing it with the internal air, thus providing dry plates at a temperature cool enough to handle safely.
- Electronically controlled to optimize drying results.
- Unit to be placed between dual rinse rack type dishwasher and handling system.
- IP25 protection against water jets, solid objects and small animals (larger than 6 mm).

### Construction

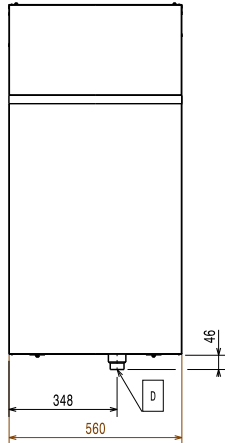
- The chamber is pressed with fully rounded corners without internal pipes and therefore no hidden dirt traps.
- All main components made in heavy duty anti-corrosive 304 type stainless steel: internal chamber, external, front and side panels, door and rack transportation system.
- The unit is built on modularity concept to easily connect with dual rinse rack type dishwasher without any modification including power, inlet water, drain water, detergent and rinse aid connections.

### Optional Accessories

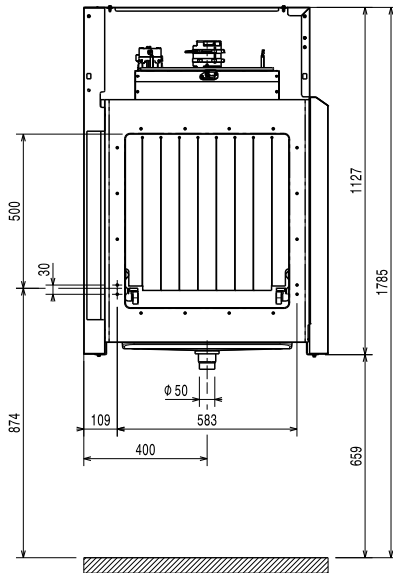
- Plain undershelf with hole for drain for Hot Air Blower, 560 mm PNC 863228
- Grid undershelf for Hot Air Blower, 555 mm PNC 863229
- Pair of legs for long conveyors connected directly to the Rack Type Dishwasher with hot air blower PNC 865477

**APPROVAL:** \_\_\_\_\_

Front

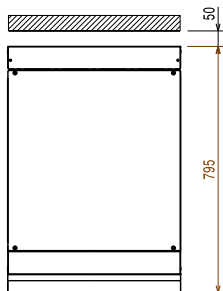


Side



- D = Drain
- EI = Electrical inlet (power)
- EO = Electrical Outlet
- EQ = Equipotential screw
- ES = Electrical signal IN/OUT
- U = USB port

Top



### Electric

**Supply voltage:**

535135 (NMHABDR5M) 400 V/3 ph/50 Hz

535138 (NMHABDR6M) 400 V/3 ph/60 Hz

**Default Installed Power:**

4.4 kW

**Dryer heating elements:**

535135 (NMHABDR5M) 4.13kW

**Drying fan power:**

535135 (NMHABDR5M) 0.23kW

### Key Information:

**Dryer air flow:**

 535135 (NMHABDR5M) 540m<sup>3</sup>/h

**Dryer air temperature:**

535135 (NMHABDR5M) 70°C

**External dimensions, Width:** 560 mm

**External dimensions, Depth:** 795 mm

For transportation purpose only, the depth can be reduced to 795mm by removing the door handle.

**External dimensions, Height:** 1130 mm

**Net weight:** 52 kg

**Shipping weight:** 62 kg

**Shipping height:** 1310 mm

**Shipping width:** 920 mm

**Shipping depth:** 610 mm

**Shipping volume:** 0.74 m<sup>3</sup>

Reference norm used to measure the noise: IEC60335-2-58 annex AA.

### Sustainability

**Noise level:** <62 dBA